

Model: ZP235KCE-TWD

Data

Type: Hermetic piston compressors
Producer: Copeland
Series: ZP

Model: ZP235KCE-TWD

Technical data

Nominal motor power [HP]:	20
Displacement [m ³ /h]:	36,3
Sound pressure level :	71
Weight [kg]:	168/140
Oil charge [dm ³]:	4,7

Electrical data

Power supply [V/~/Hz]:	380-420V/3/50Hz
Locked rotor current [A]:	225
Max. operating current [A]:	40
Winding resistance [Ω]:	0,63

Connections

	<u>milimeters</u>	<u>inches</u>
Suction Rotolock valve connection:		2 1/4"
Discharge Rotolock valve connection:		1 3/4"
Suction connection with supplied sleeve:		1 5/8"
Discharge connection with supplied sleeve:		1 3/8"

Model: ZP235KCE-TWD

Capacity

R410A

Cooling capacity [kW]

$t_c \setminus t_e$	-20	-15	-10	-5	0	5	10	15
25	26.21	32.53	39.93	48.52	58.43	69.78	82.66	-
30	24.42	30.48	37.57	45.79	55.26	66.10	78.43	92.36
35	22.69	28.48	35.23	43.05	52.06	62.38	74.12	87.40
40	21.01	26.50	32.89	40.28	48.81	58.57	69.70	82.31
45	-	24.51	30.51	37.45	45.47	54.66	65.15	77.06
50	-	-	28.06	34.53	42.01	50.61	60.44	71.63
55	-	-	-	31.50	38.41	46.39	55.53	65.98
60	-	-	-	-	34.64	41.97	50.41	60.08
65	-	-	-	-	30.67	37.32	45.03	53.90

Power input [kW]

$t_c \setminus t_e$	-20	-15	-10	-5	0	5	10	15
25	9.26	9.37	9.49	9.62	9.78	9.96	10.18	-
30	10.15	10.25	10.37	10.51	10.67	10.86	11.09	11.35
35	11.16	11.26	11.38	11.51	11.67	11.86	12.08	12.35
40	12.35	12.44	12.55	12.67	12.82	13.00	13.21	13.47
45	-	13.83	13.92	14.02	14.16	14.32	14.52	14.76
50	-	-	15.54	15.62	15.73	15.87	16.05	16.28
55	-	-	-	17.52	17.60	17.71	17.86	18.06
60	-	-	-	-	19.79	19.87	19.99	20.15
65	-	-	-	-	22.36	22.40	22.47	22.60

Model: ZP235KCE-TWD

Capacity

Current [A]

$t_c \setminus t_e$	-20	-15	-10	-5	0	5	10	15
25	19.34	19.45	19.56	19.69	19.85	20.09	20.42	-
30	20.44	20.59	20.72	20.84	20.99	21.18	21.44	21.79
35	21.67	21.88	22.03	22.16	22.29	22.44	22.64	22.92
40	23.09	23.36	23.55	23.69	23.81	23.93	24.08	24.29
45	-	25.07	25.31	25.47	25.59	25.70	25.81	25.95
50	-	-	27.36	27.56	27.69	27.78	27.86	27.94
55	-	-	-	30.00	30.15	30.24	30.29	30.33
60	-	-	-	-	33.02	33.11	33.14	33.14
65	-	-	-	-	36.34	36.45	36.47	36.44

Mass flow [kg/s]

$t_c \setminus t_e$	-20	-15	-10	-5	0	5	10	15
25	509.53	629.10	765.17	920.16	1 096.50	1 296.60	1 522.89	-
30	503.02	621.63	756.81	910.97	1 086.53	1 285.92	1 511.55	1 765.84
35	493.83	611.56	745.90	899.29	1 074.14	1 272.88	1 497.91	1 751.66
40	482.90	599.79	733.37	886.05	1 060.25	1 258.39	1 482.89	1 736.17
45	-	587.26	720.13	872.16	1 045.77	1 243.38	1 467.40	1 720.27
50	-	-	707.10	858.54	1 031.62	1 228.76	1 452.37	1 704.89
55	-	-	-	846.12	1 018.73	1 215.46	1 438.72	1 690.95
60	-	-	-	-	1 008.01	1 204.39	1 427.37	1 679.36
65	-	-	-	-	1 000.38	1 196.48	1 419.23	1 671.06

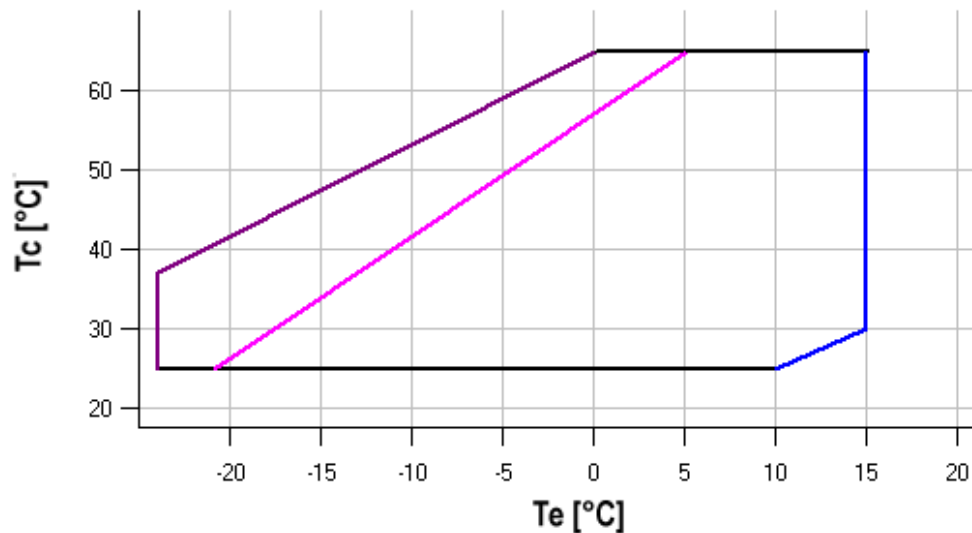
Model: ZP235KCE-TWD

Capacity

C.O.P. [W/W]

$t_c \setminus t_e$	-20	-15	-10	-5	0	5	10	15
25	2.83	3.47	4.21	5.04	5.98	7.00	8.12	-
30	2.41	2.97	3.62	4.36	5.18	6.08	7.07	8.13
35	2.03	2.53	3.10	3.74	4.46	5.26	6.13	7.08
40	1.70	2.13	2.62	3.18	3.81	4.51	5.28	6.11
45	-	1.77	2.19	2.67	3.21	3.82	4.49	5.22
50	-	-	1.81	2.21	2.67	3.19	3.76	4.40
55	-	-	-	1.80	2.18	2.62	3.11	3.65
60	-	-	-	-	1.75	2.11	2.52	2.98
65	-	-	-	-	1.37	1.67	2.00	2.39

Application range



- Maximum evaporating temperature
- 25°C suction gas temperature
- 10K gas overheat

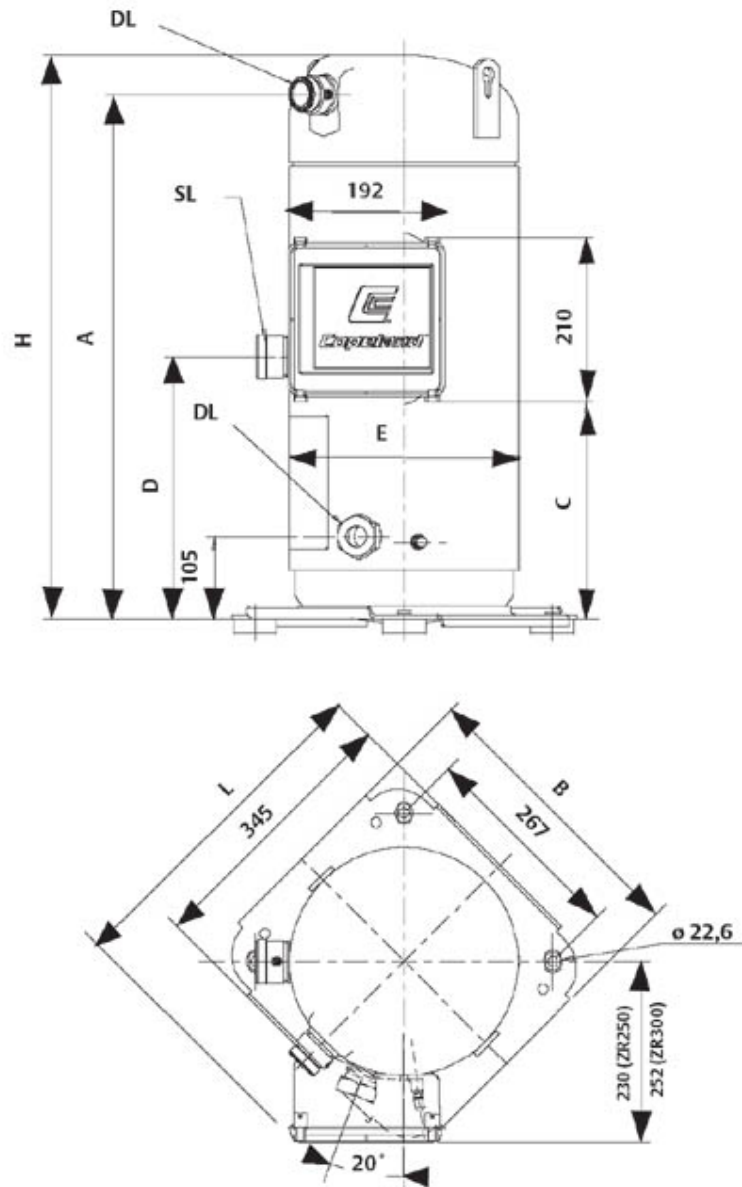
Operating conditions: 10K suction superheat, 0K subcooling

t_c - Condensing temperature [°C]

t_e - Evaporating temperature [°C]

Model: ZP235KCE-TWD

Dimensions



A	667 mm
B	368 mm
C	275 mm
D	333 mm
E	289 mm
H	716 mm
L	432 mm

Model: ZP235KCE-TWD

Image

